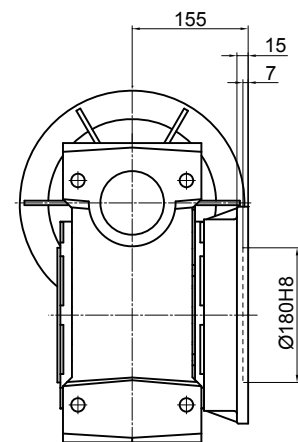
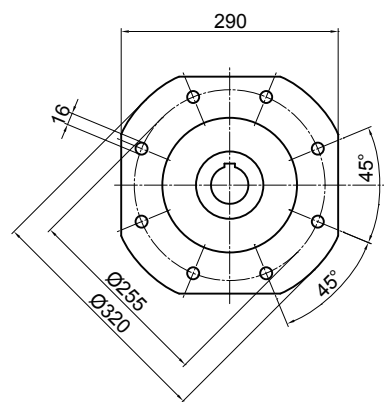
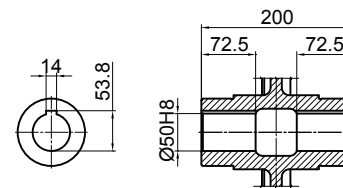
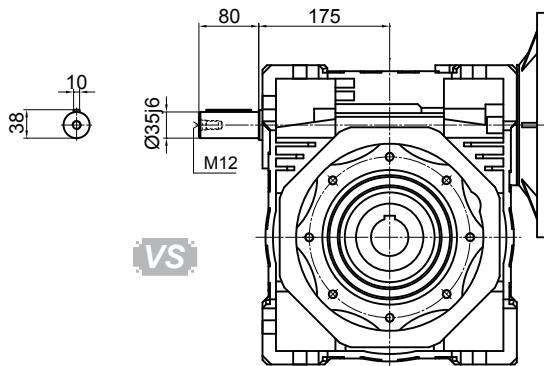
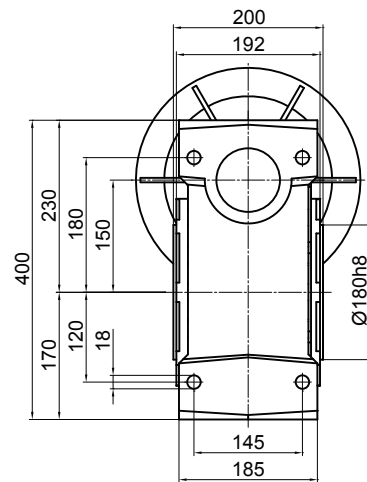
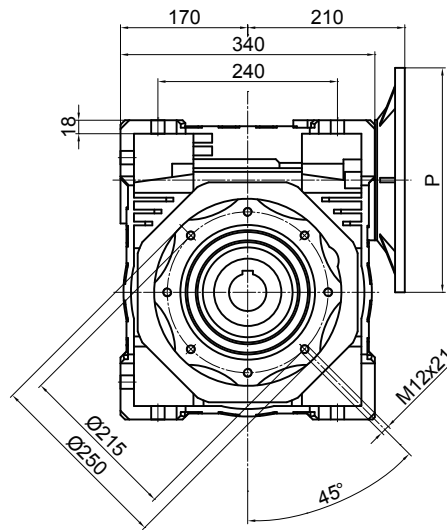
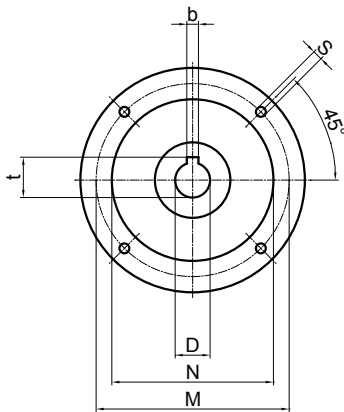


# SV150



PAM IEC	D <sub>ES</sub>	b	t	P	M	N	S
160B5	42	12	45.3	350	300	250	19
132B5	38	10	41.3	300	265	230	M12
100/112B5	28	8	31.3	250	215	180	M12

\*Weight without motor ≈84kg