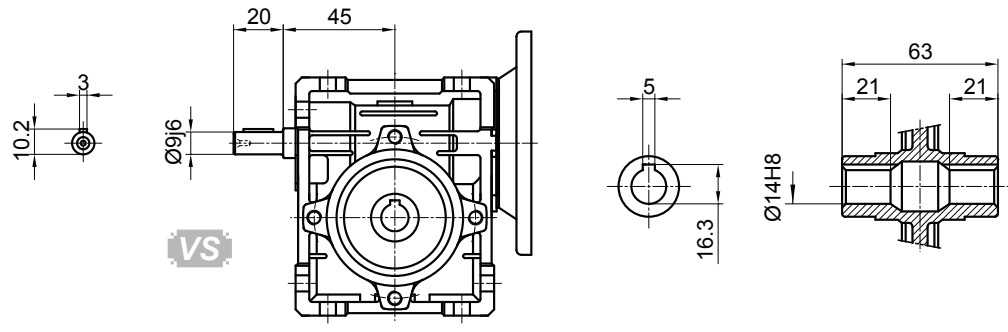
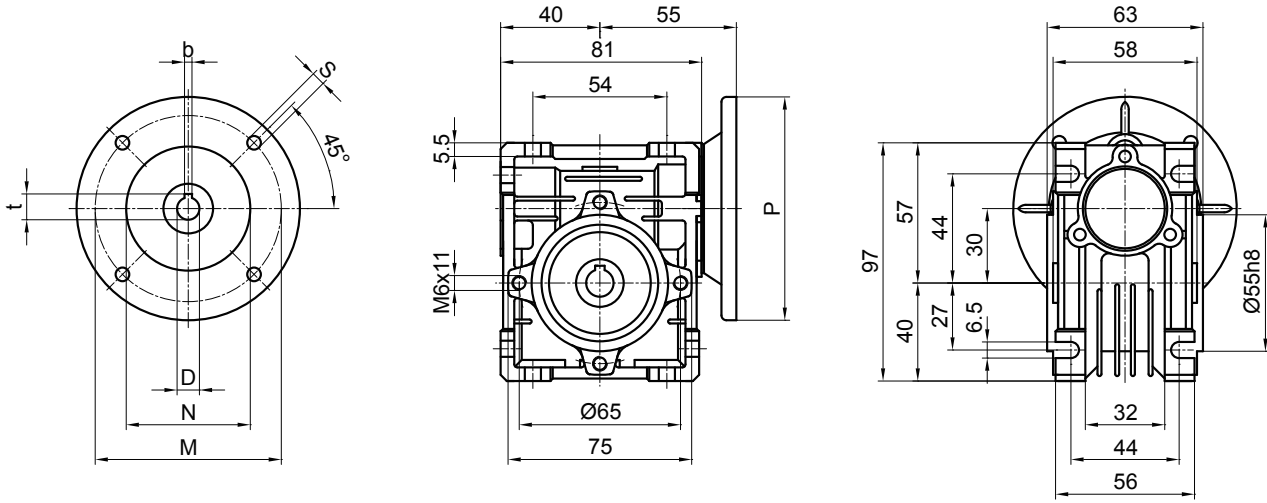
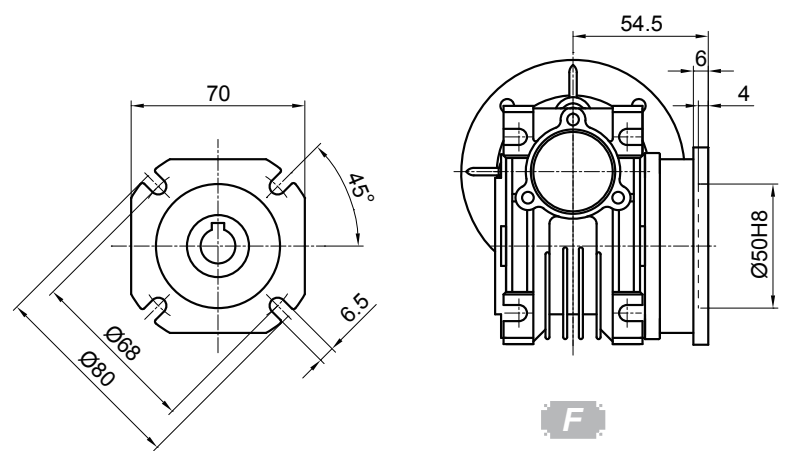


SV030



VS



F

| PAM IEC | D _{E8} | b | t | P | M | N | S |
|---------|-----------------|---|------|-----|-----|----|-----|
| 63B5 | 11 | 4 | 12.8 | 140 | 115 | 95 | 9 |
| 63B14 | 11 | 4 | 12.8 | 90 | 75 | 60 | 5.5 |
| 56B5 | 9 | 3 | 10.4 | 120 | 100 | 80 | 6.5 |
| 56B14 | 9 | 3 | 10.4 | 80 | 65 | 50 | 5.5 |

*Weight without motor ≈1.2kg

