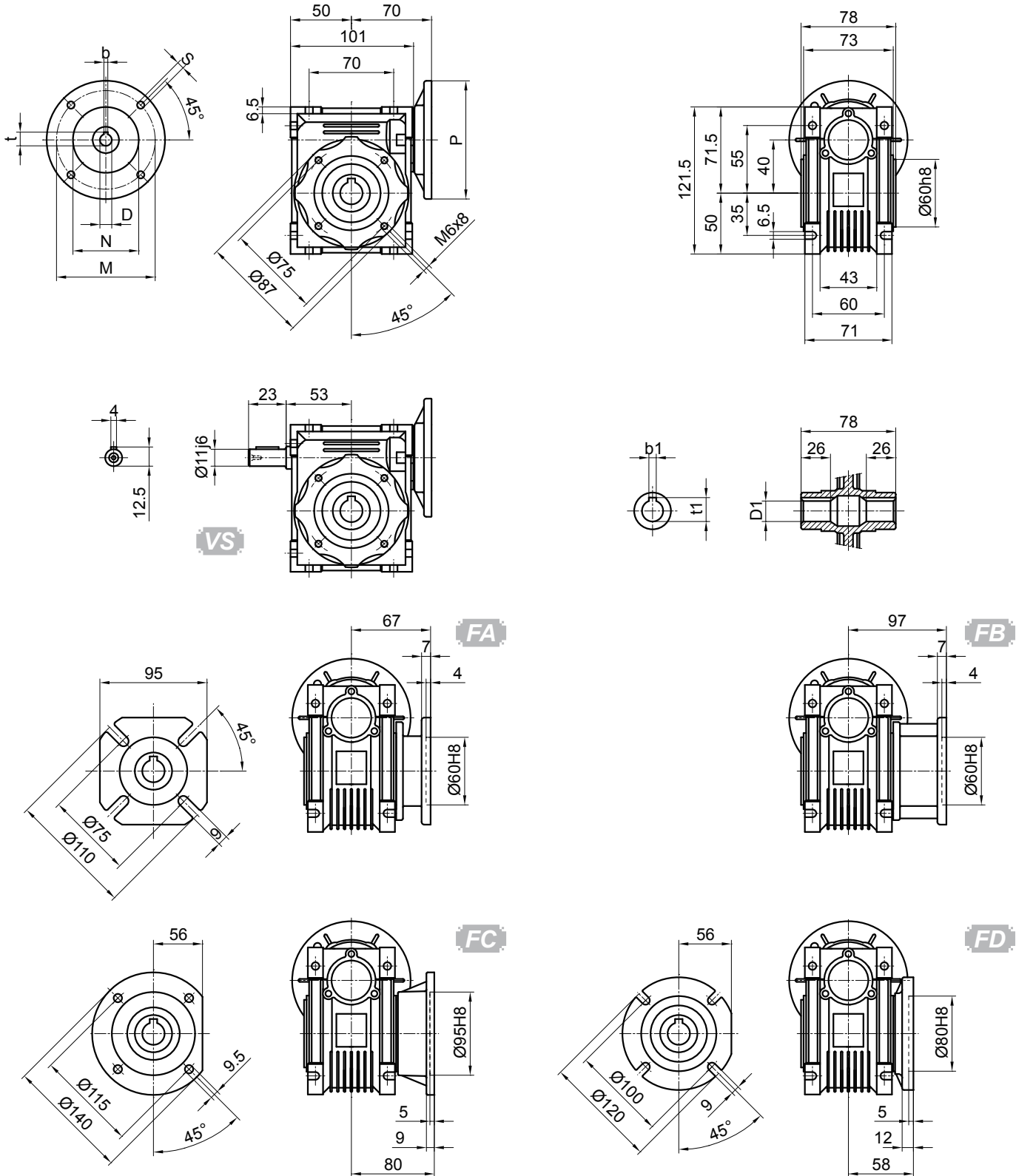


SV040



| PAM IEC | D _{EB} | b | t | P | M | N | S | Output | | |
|------------|-----------------|---|------|-----|-----|-----|-----|------------------|----------------|----------------|
| | | | | | | | | D _{1H8} | b ₁ | t ₁ |
| 71B5 | 14 | 5 | 16.3 | 160 | 130 | 110 | 8.5 | 18 | 6 | 20.8 |
| 71B14 | 14 | 5 | 16.3 | 105 | 85 | 70 | 6.5 | (19) | (6) | (21.8) |
| 63B5 | 11 | 4 | 12.8 | 140 | 115 | 95 | 9 | ... | | |
| 63B14 | 11 | 4 | 12.8 | 90 | 75 | 60 | 6 | ... | | |
| 56B5 | 9 | 3 | 10.4 | 120 | 100 | 80 | 6.5 | ... | | |

(...) Only on request

*Weight without motor ≈ 2.3kg