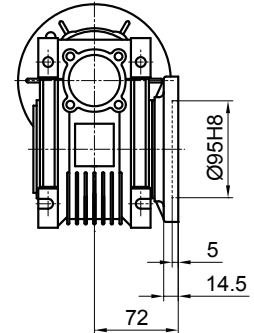
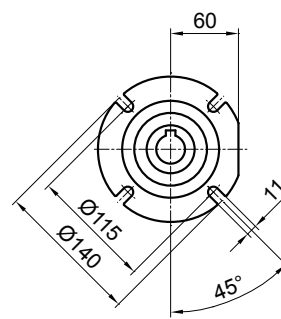
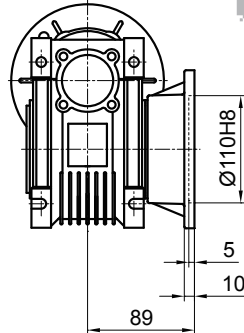
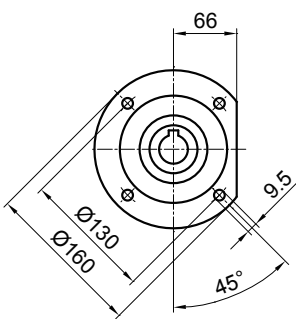
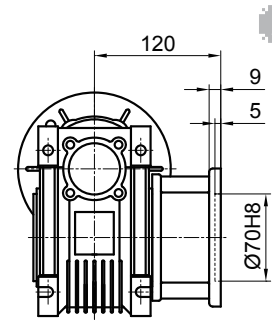
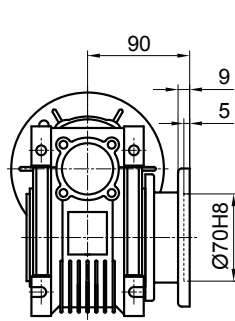
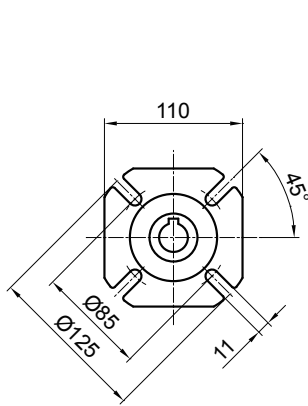
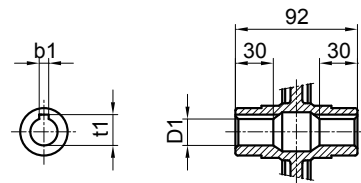
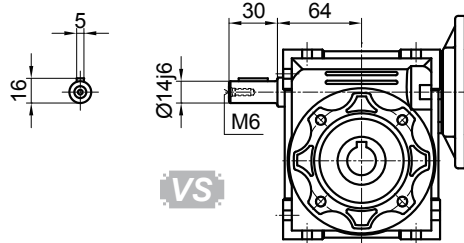
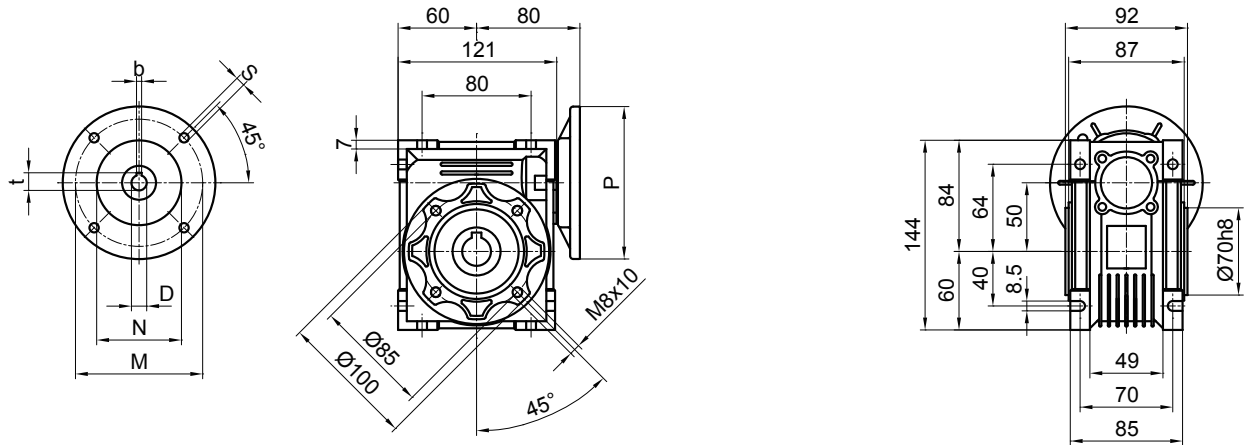




**SV050**



PAM IEC	D <sub>EB</sub>	b	t	P	M	N	S	Output	D <sub>1H8</sub>	b <sub>1</sub>	t <sub>1</sub>
									80B5	19	6
80B14	19	6	21.8	120	100	80	6.5	(24)	(8)	(27.3)	
71B5	14	5	16.3	160	130	110	8.5	...			
71B14	14	5	16.3	105	85	70	7	...			
63B5	11	4	12.8	140	115	95	8.5	...			

(...) Only on request

\*Weight without motor ≈3.5kg