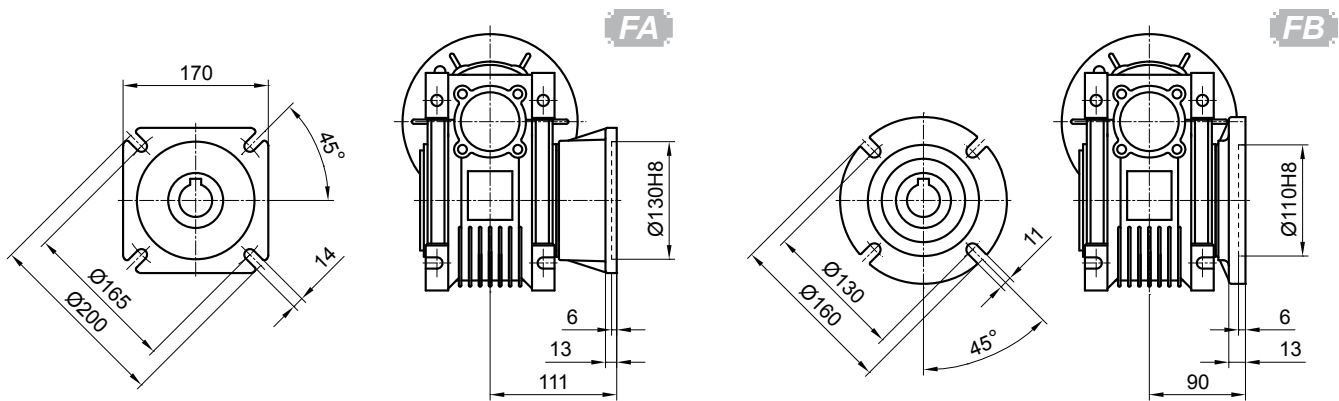
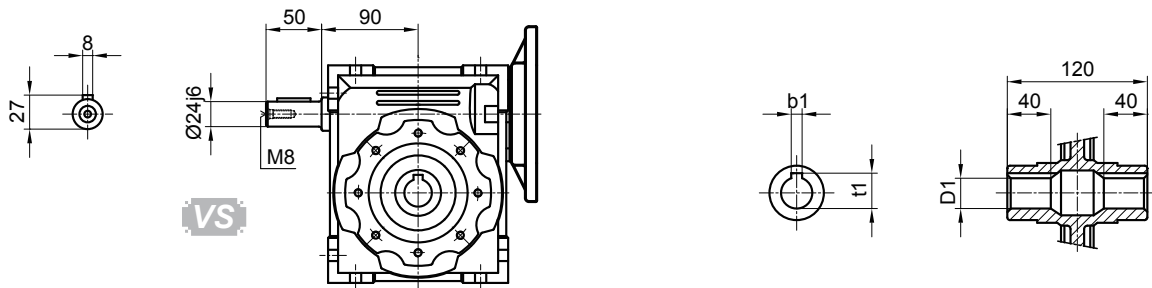
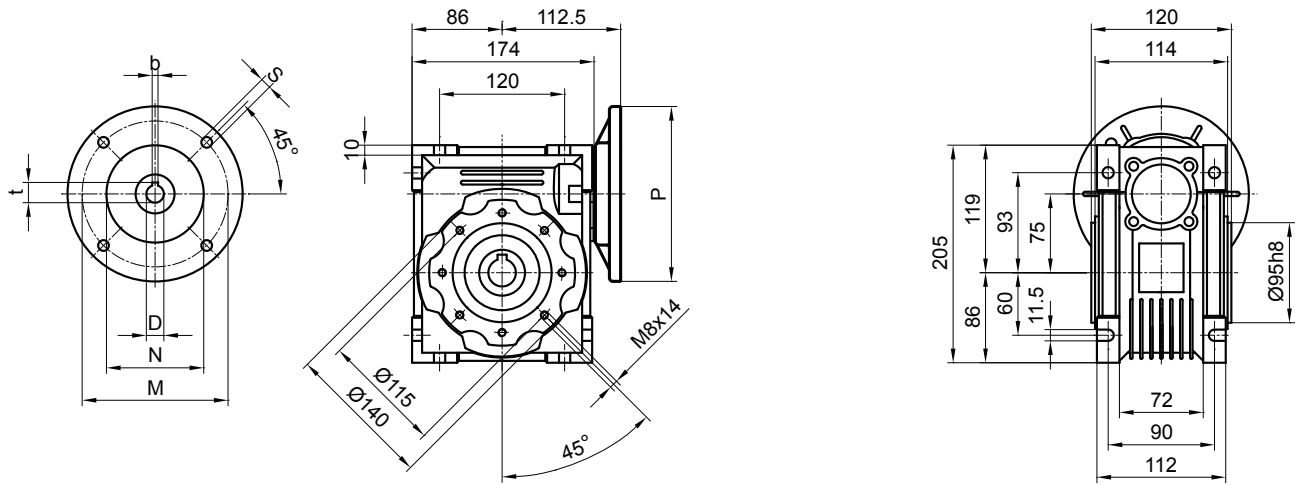


# SV075



PAM IEC	D <sub>E8</sub>	b	t	P	M	N	S	Output	D <sub>1H8</sub>	b <sub>1</sub>	t <sub>1</sub>
100/112B5	28	8	31.3	250	215	180	13		(..) Only on request	28	8
100/112B14	28	8	31.3	160	130	110	9	(35)		(10)	(38.3)
90B5	24	8	27.3	200	165	130	11				
90B14	24	8	27.3	140	115	95	9				
80B5	19	6	21.8	200	165	130	11				
80B14	19	6	21.8	120	100	80	6.5				
71B5	14	5	16.3	160	130	110	9				

\*Weight without motor ≈9.0kg