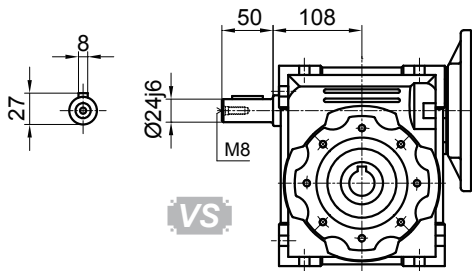
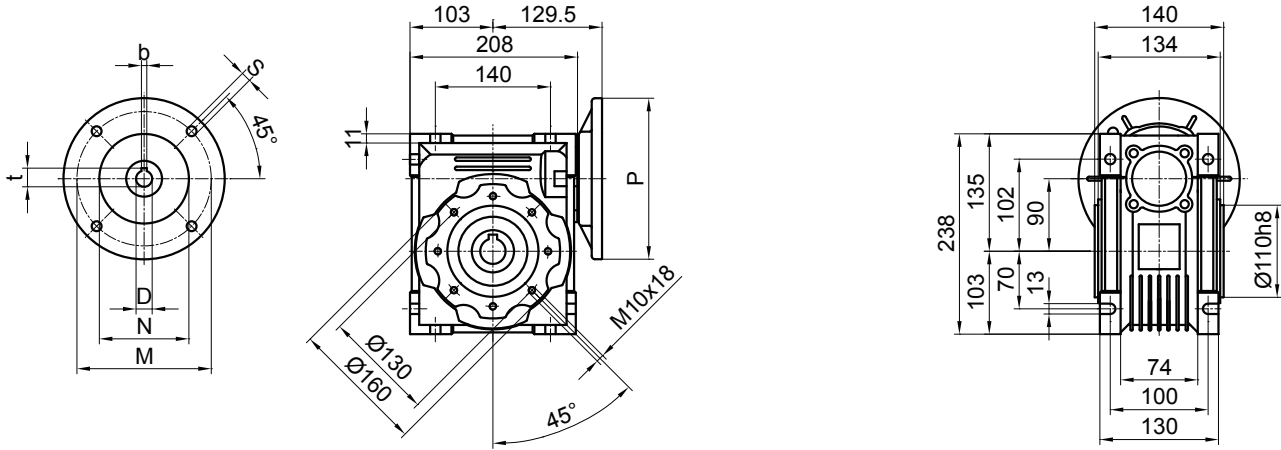
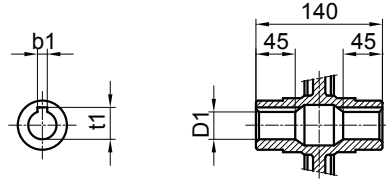


SV090

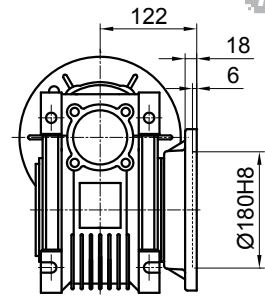
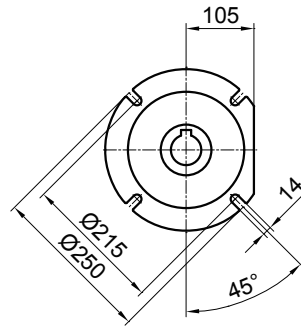
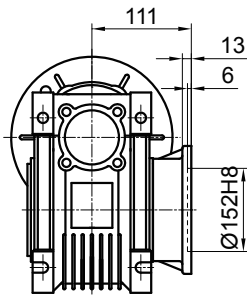
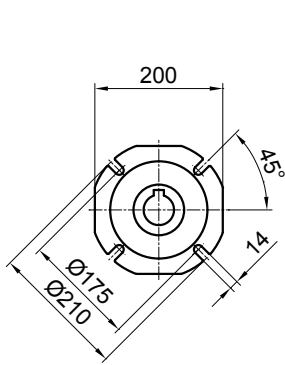


VS



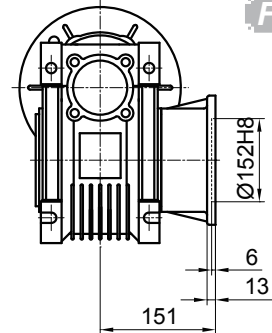
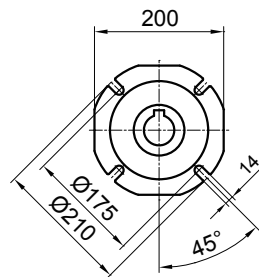
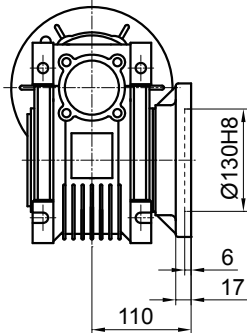
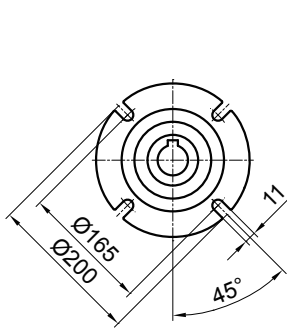
FA

FB



FC

FD



PAM IEC	D _{E8}	b	t	P	M	N	S	Output	D _{1H8}	b ₁	t ₁
100/112B5	28	8	31.3	250	215	180	13		(..) Only on request	35	10
100/112B14	28	8	31.3	160	130	110	9	(38)		(10)	(41.3)
90B5	24	8	27.3	200	165	130	11				
90B14	24	8	27.3	140	115	95	9				
80B5	19	6	21.8	200	165	130	11				
80B14	19	6	21.8	120	100	80	6.5				

*Weight without motor ≈13kg