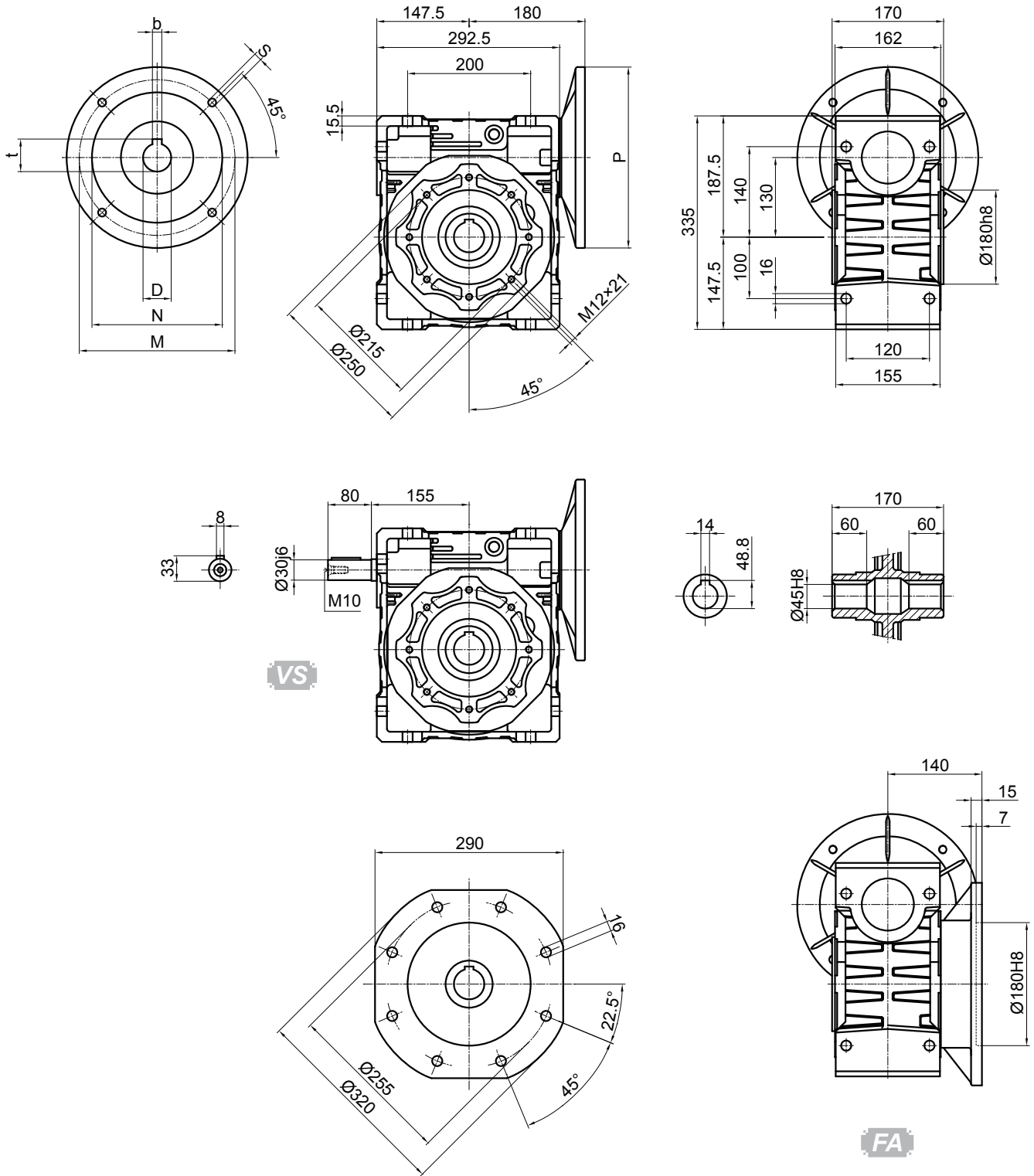


# SV130



PAM IEC	D <sub>ES</sub>	b	t	P	M	N	S
132B5	38	10	41.3	300	265	230	M12
100/112B5	28	8	31.3	250	215	180	13
90B5	24	8	27.3	200	165	130	11

\*Weight without motor ≈ 48kg